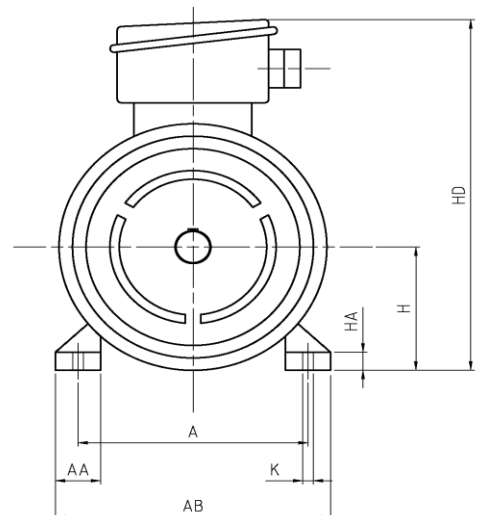
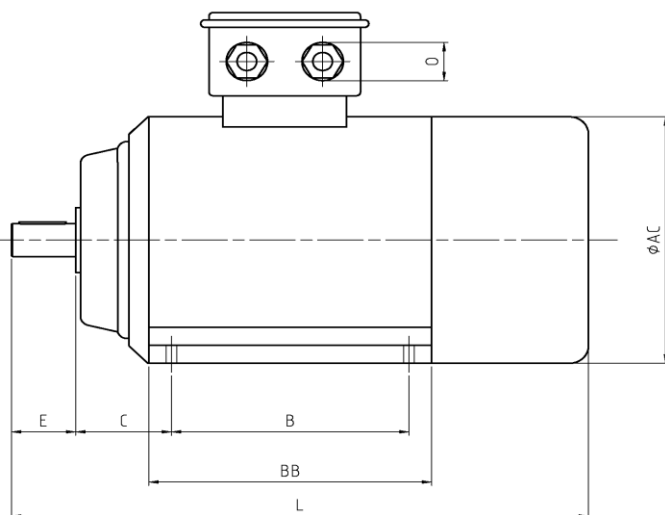


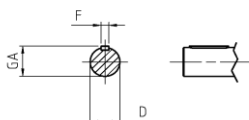
E.M.C. Electrical Motors Company -- ITALY --

MOTORI ASINCRONI 3-FASE / MOTEURS ASYNCHRONES 3-PHASES / 3-PHASE INDUCTION MOTORS

CONSTRUTTORE CONSTRUCTEUR MANUFACTURER	E.M.C.	GRANDEZZA & TIPO TAILLE & TYPE SIZE & TYPE	YE3-160L2	QUANTITA' QUANTITE QUANTITY	1
POTENZA NOMINALE PUISSANCE NOMINALE NOMINAL POWER	18,5 kW	VELOCITA' VITESSE SPEED	2940 Rpm	POLI POLES POLES	2
TENSIONE TENSION RATED VOLTAGE	400 V	FREQUENZA FREQUENCE FREQUENCY	50 Hz	SERVIZIO SERVICE SERVICE	S 1
CORRENTE NOMINALE COURANT NOMINAL RATED CURRENT	33 A	COPPIA NOMINALE COUPLE NOMINAL RATED TORQUE	60,09 Nm	MOMENTO INERZIA ROT. INERTIE ROTOR ROTOR INERTIA	0,05500 Kgm2
SOVRATEMPERATURA ECHAUFFEMENT TEMPERAURE RISE	B	CLASSE ISOLAMENTO CLASSE ISOLATION INSULATION CLASS	F	TEMP. AMBIENTE TEMP. AMBIANCE AMBIENT TEMP.	40 °C
FATTORE DI POTENZA FACTEUR de PUISSANCE POWER FACTOR	0,89	RENDIMENTO RENDEMENT EFFICIENCY	IE3 92,4 %	RUMOROSITA' Lp NOISE LEVEL Lp NOISE LEVEL Lp	81 dB(A)
Ma / Mn Md / Mn Ms / Mn	2,2	Mmax / Mn Mmax / Mn Mmax / Mn	2,3	la / ln ld / ln ls / ln	8,1
FORMA COSTRUTTIVA FORME MOUNTING POSITION	B 3	PROTEZIONE IP PROTECTION IP ENCLOSURE IP	55	PESO POIDS WEIGHT	149 kG
TIPO CUSCINETTO TYPE de ROULEMENT BEARINGS TYPE	→	Lato Comando Cote Bout d'Arbre Drive End Side	6309 SKF	Lato Opposto Cote Ventilateur Non Drive End Side	6309 SKF
LUBRIFICAZ. GRASSO LUBRIFICATION GRAISSE LUBRIFICATION GREASE	LGHP - SKF	ORE HEURES HOURS	1500	RESIST.ANTICONDENSA RESIST.de RECHAUFFAGE SPACE HEATERS	-- V -- W
PROTEZIONE TERMICA PROTECTION THERMIQUE THERMAL PROTECTION	3 X PTC	NORME NORMES STANDARD	IEC	VENTILAZIONE ASSISTITA VENTILATION FORCEE' FORCES VENTIALTION	-- kW -- P.s -- A



OUTPUT SHAFT



Note :

- 1) --
- 2) --
- 3) --

Plan Code	B	A	AA	BB	AB	AC	H	L	HA	HD	K	O	C	D	E	GA	F
YE3-160L2	254	254	65	305	314	325	160	670	20	425	15	M 40	108	42	110	45	12

Motor Type	Kw	Rpm
YE3-160L2	18,5	2940

Preliminary Technical Sheet

Revision : 1

YE3-160L2